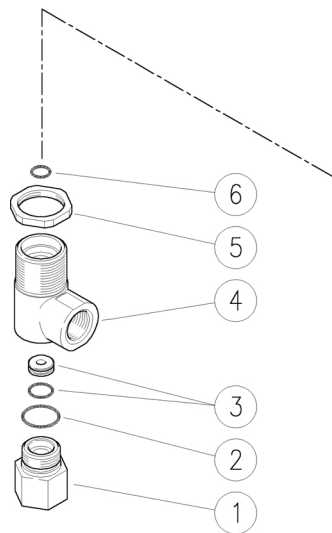
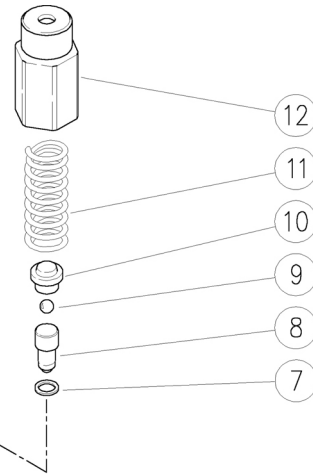


60.0515.00 VS220 safety valv. 3/8F Bsp -1 inl.port
 60.0525.00 VS220 safety valv. 3/8F Bsp -2 inl.ports



60.0540.00 VS170 safety valv. 3/8F Bsp -1 inl.port



Pos.	P/N	Description	Q.ty	K1
1	60.0306.31	Bypass coupl., 3/8F Bsp brass	1	
2	10.3066.00	O-ring, 1,78x15,6 mm	1	•
3	60.0511.20	Seat, 4,4mm +O-ring, 1mm NBR85	1	•
4	60.0517.35	Housing -VS170-220, 3/8F Bsp brass	1	
4	60.0526.35	Housing -VS170-220, 3/8Bsp FF brass (1)	1	
5	60.0523.31	Ring nut, M24x1,25 brass	1	
6	10.3055.00	O-ring, 1,78x7,66 mm	1	•

Pos.	P/N	Description	Q.ty	K1
7	10.4025.00	Back-up ring, 8x11x1,2 mm	1	•
8	60.0514.21	Piston +ball, 7/32" Sst.	1	
9	14.7421.50	Ball, 1/4" Sst.	1	
10	60.0503.31	Ball holding piston, brass	1	
11	60.0516.61	Spring, 4,3x18,6x53 mm z.pl.	1	
11	60.0502.61	Spring, 4x14,5x50 mm z.pl. (2)	1	
12	60.0532.31	Valve regulating knob, M24 brass	1	

Kit	P/N	Description	Q.ty	K1
K1	60.0535.24	Spares kit -VS170-220, 5x1pcs.	1	

(1) 60.0525.00 (2) 60.0540.00